

CURRENT ME FLOWCHART

(Phase-out by Fall 2010)
(Last Graduation Class Fall 2010)

MECHANICAL ENGINEERING DEPARTMENT

NAME _____ STUDENT RECORD SHEET ADVISOR _____
 MSU ID _____ PREREQUISITE FLOW CHART TRANSFER FROM HRS. AP
 EVALUATOR _____ EFFECTIVE FALL 2007 1. _____
 DATE _____ 2. _____
 NET ID _____ 3. _____

ACT MATH SUBSCORE DEPENDENT
 COL ALG (20-23) TRIG (24-25) PRE-CAL (24-25)
 MA 1313 MA 1323 MA 1453
 ACT EN MA SS NS C
 DEFICIENT _____

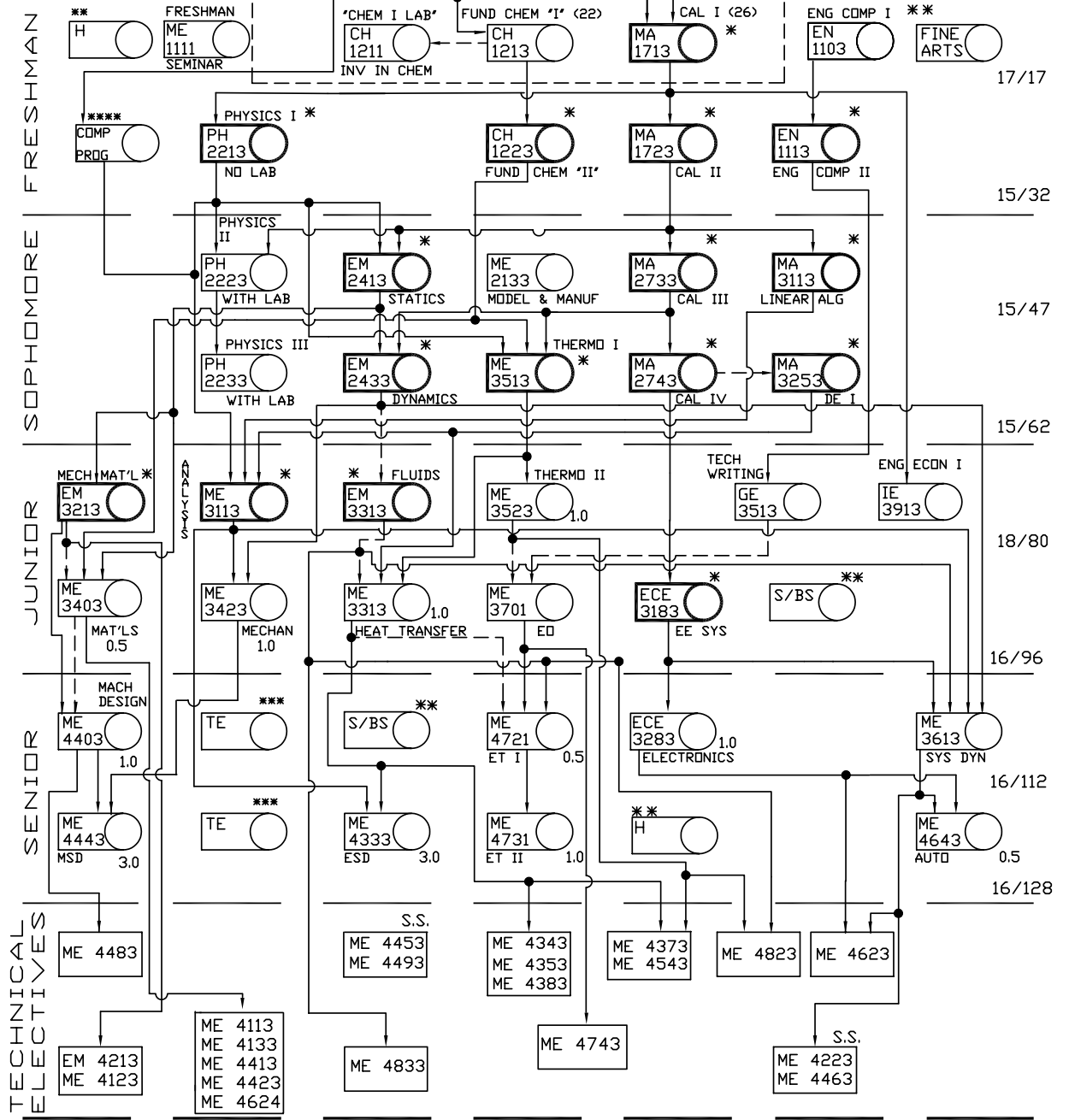
OLD

ME 3701

ME 4721

ME 4731

ECE 3283



* COURSES OUTLINED IN BOLD REQUIRE A GRADE OF "C" OR BETTER.
 ** SEE CORE CURRICULUM REQUIREMENTS IN MSU CATALOG FOR FINE ARTS, HUMANITIES, AND SOCIAL/BEHAVIORAL SCIENCE COURSES.
 *** TECHNICAL ELECTIVE FROM ME, EM, OR CME.
 **** VISUAL BASIC, FORTRAN, C, OR C++

ABET Hours	
M&BS	_____
H/SS	_____
ES	_____
ED	_____

DATE REVISED: 04/05/07