

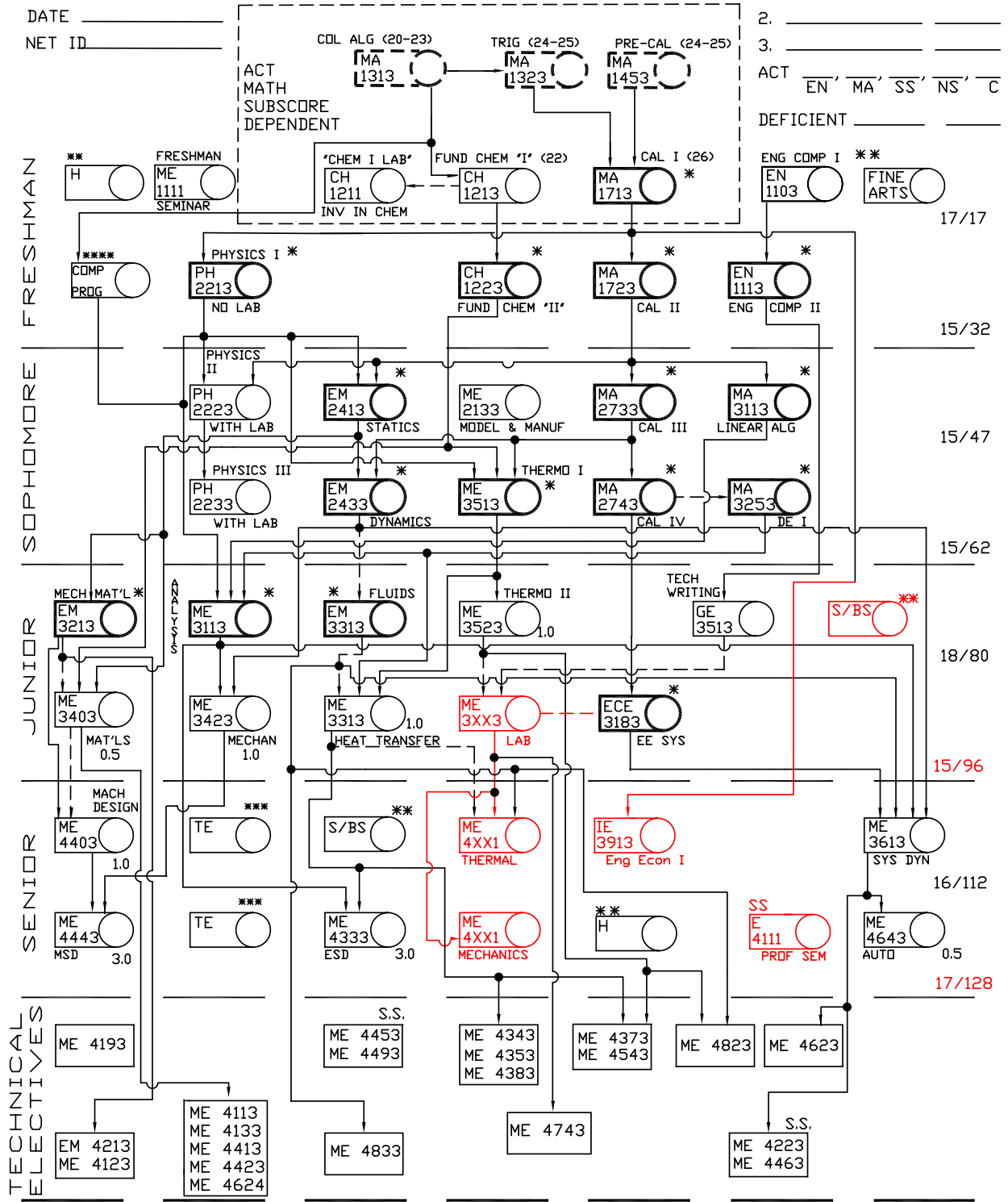
NEW ME FLOWCHART

(Phase-in Start Spring 2010)
(First Graduation Class Spring 2011)

MECHANICAL ENGINEERING DEPARTMENT

NAME _____ STUDENT RECORD SHEET ADVISOR _____
 MSU ID _____ PREREQUISITE FLOW CHART TRANSFER FROM HRS. AP
 EVALUATOR _____ EFFECTIVE FALL 20XX 1. _____
 DATE _____ ACT EN, MA, SS, NS, C 2. _____
 NET ID _____ DEFICIENT _____ 3. _____

- NEW**
- ME 3XX3**
- ME 4XX1 THERMAL**
- ME 4XX1 MECHANICS**
- ME 4111 Sr. Seminar**



* COURSES OUTLINED IN BOLD REQUIRE A GRADE OF "C" OR BETTER.
 ** SEE CORE CURRICULUM REQUIREMENTS IN MSU CATALOG FOR FINE ARTS, HUMANITIES, AND SOCIAL/BEHAVIORAL SCIENCE COURSES.
 *** TECHNICAL ELECTIVE FROM ME, EM, OR CME.
 **** VISUAL BASIC, FORTRAN, C, OR C++

ABET Hours	
M&BS	_____
H/SS	_____
ES	_____
ED	_____

DATE REVISED: 11/20/08