

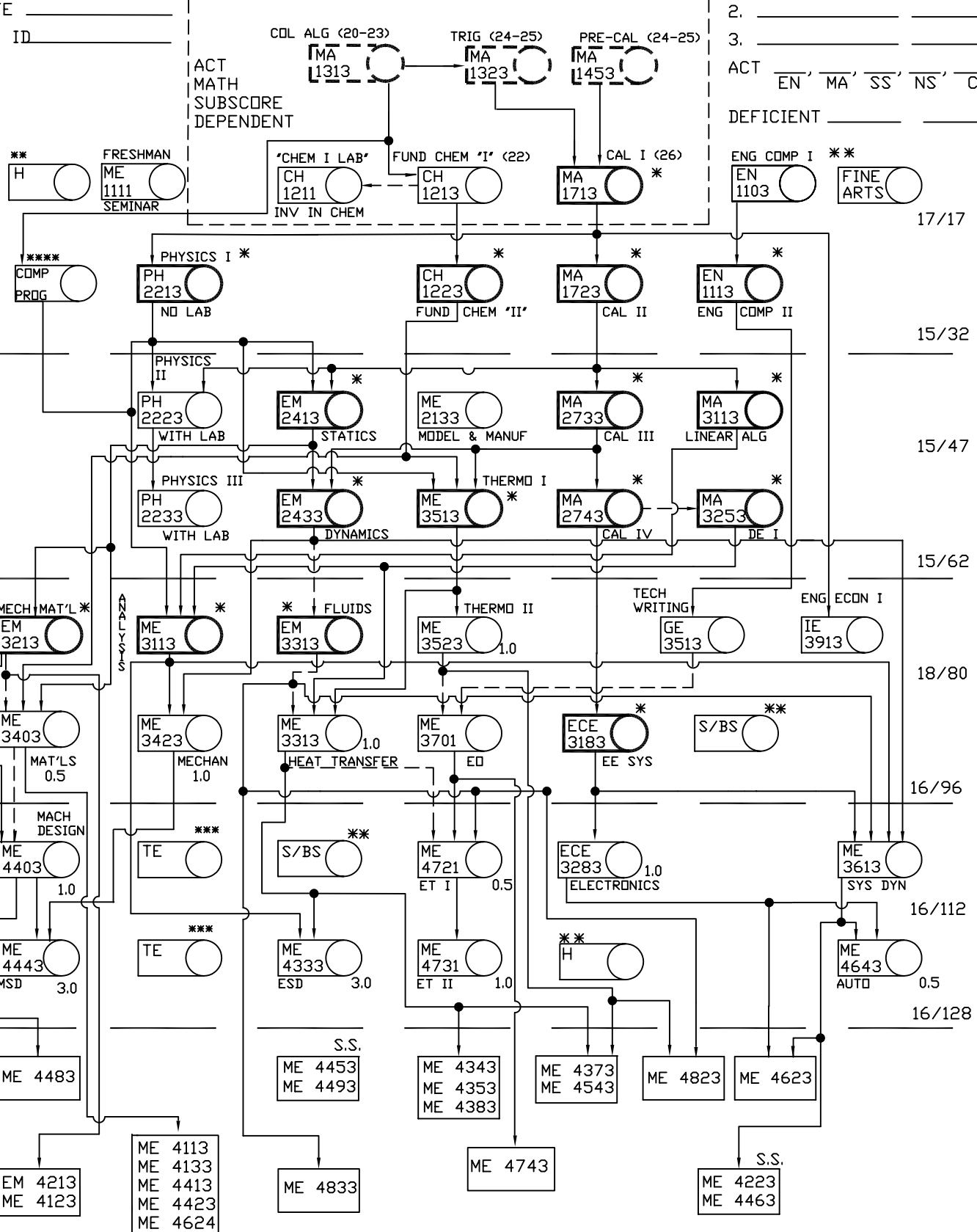
# MECHANICAL ENGINEERING DEPARTMENT

NAME \_\_\_\_\_  
 MSU ID \_\_\_\_\_  
 EVALUATOR \_\_\_\_\_  
 DATE \_\_\_\_\_  
 NET ID \_\_\_\_\_

STUDENT RECORD SHEET  
 PREREQUISITE FLOW CHART  
 EFFECTIVE FALL 2007

ADVISOR \_\_\_\_\_  
 TRANSFER FROM HRS. AP  
 1. \_\_\_\_\_  
 2. \_\_\_\_\_  
 3. \_\_\_\_\_  
 ACT EN, MA, SS, NS, C  
 DEFICIENT \_\_\_\_\_

NATURAL SCIENCES  
 HUMANITIES  
 ENGINEERING  
 TECHNICAL ELECTIVES



\* COURSES OUTLINED IN BOLD REQUIRE A GRADE OF "C" OR BETTER.  
 \*\* SEE CORE CURRICULUM REQUIREMENTS IN MSU CATALOG FOR FINE ARTS, HUMANITIES, AND SOCIAL/BEHAVIORAL SCIENCE COURSES.  
 \*\*\* TECHNICAL ELECTIVE FROM ME, EM, OR CME.  
 \*\*\*\* VISUAL BASIC, FORTRAN, C, OR C++

ABET Hours	
M&BS	_____
H/SS	_____
ES	_____
ED	_____

DATE REVISED: 04/05/07